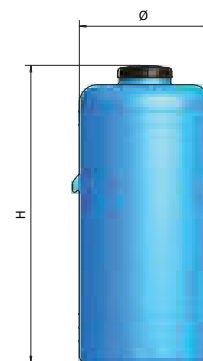
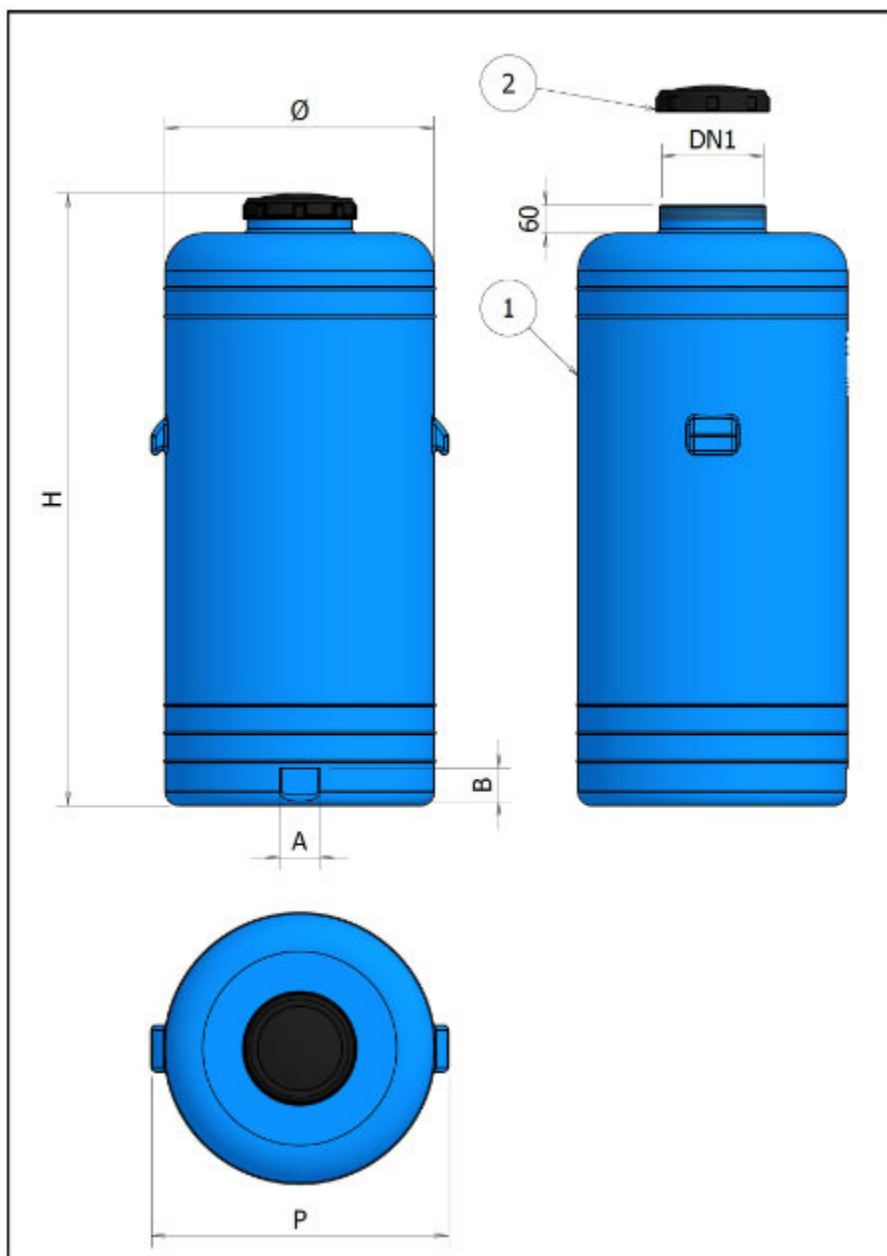


BC SERIES
 POLYETHYLENE 200L - 300L STORAGE TANKS




MODEL	L x W x H mm	DN1 Ø	Boccap. mm
BC-200 (180)	575 x 575 x 915	1"	215
BC-300	575 x 575 x 1310	1"	215

- For drinking water
- For above ground use



Ratings data sheet

Pos.	Description	Type		
		BC		
	Capacity (lt.)	200	300	
H	Height (mm)	915	1310	
Ø	Diameter (mm)	575	575	
P	Width (mm)	635	635	
A	Niche width (mm)	80	80	
B	Niche height (mm)	80	80	
DN1	Inspection hole diameter (mm)	215	215	



Part list

Pos.	Description	Material	Quantity	Spare parts
1	Cylinder	Polyethylene LLDPE	1	-
2	Cover	Polypropylene PP	1	1