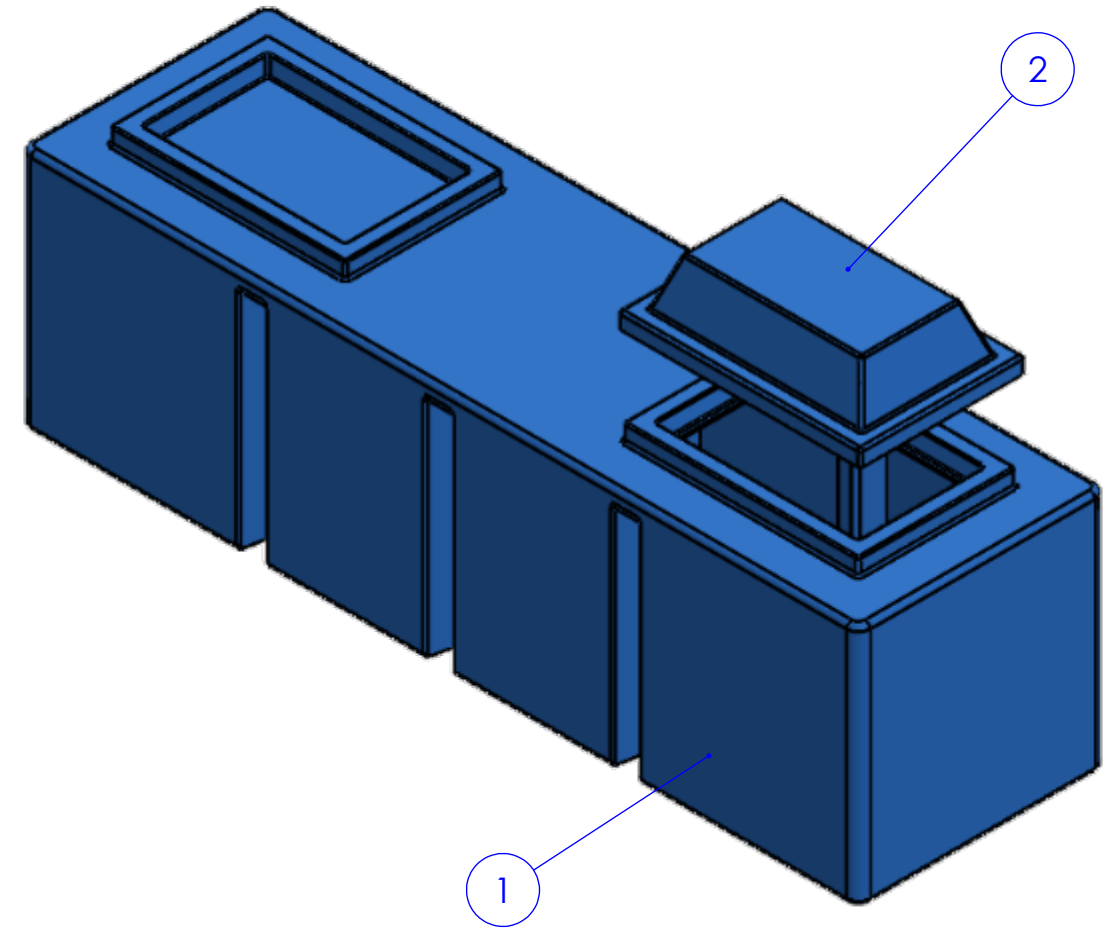
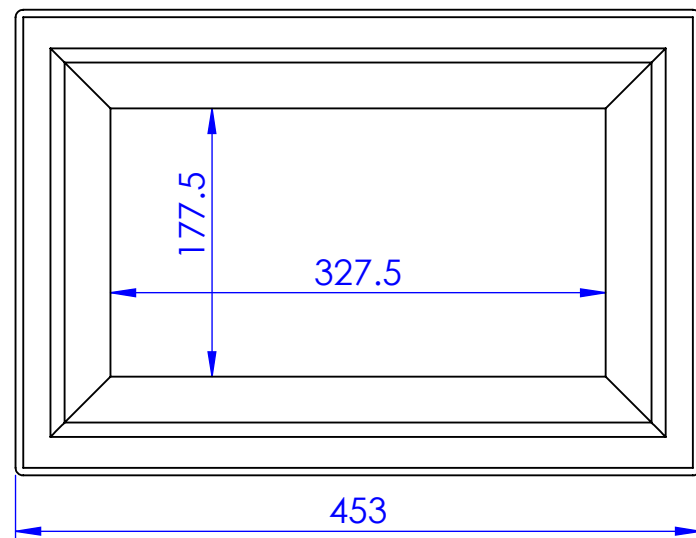
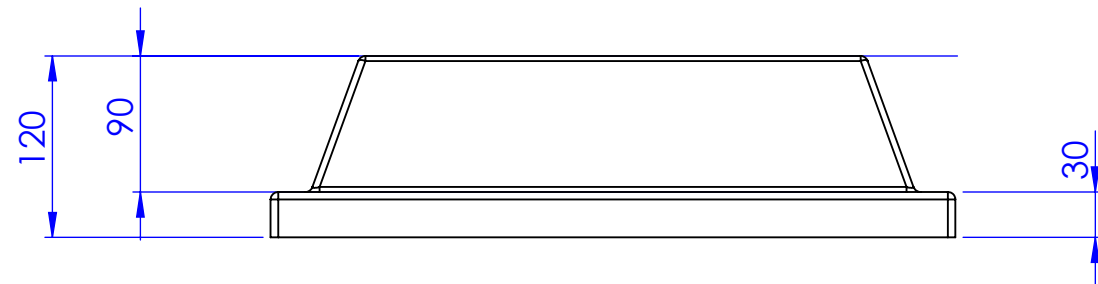
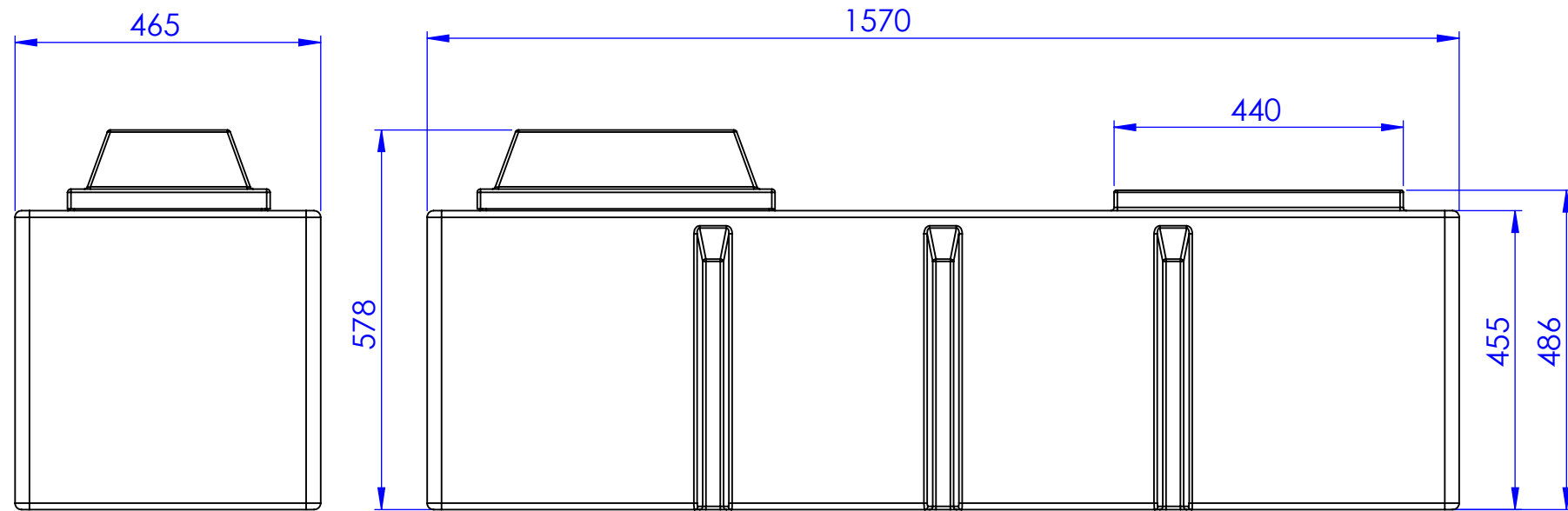


THE INFORMATION CONTAINED IN THIS DRAWING IS THE SOLE PROPERTY OF KINGSPAN WATER & ENERGY LTD. ANY REPRODUCTION IN PART OR WHOLE WITHOUT THE WRITTEN PERMISSION OF KINGSPAN WATER & ENERGY LTD. IS PROHIBITED.



ITEM NO.	PART NUMBER	DESCRIPTION	QTY.
1	1002739	AT70 TANK ONLY	1
2	1002740	AT70 DRK BLUE LID	1



UNLESS OTHERWISE SPECIFIED  
DIMENSIONS ARE IN MM.  
TOLERANCES ARE:  
NO DECIMAL ±2  
.X ±0.3 ANGLES  
.XX ±0.10 ±0° 30'

SCALE

MATERIAL **PEXYLENE 45939**


MASS (kg) **17**

CAD GENERATED DRAWING,  
DO NOT MANUALLY UPDATE  
3RD ANGLE PROJECTION  
DO NOT SCALE DRAWING

DRAWN

DATE

APPROVED



**AQUABOX Systems**  
The Ultimate solution to cold water boosting systems

**AT70 DRK BLUE WRAS TANK + LID**

SIZE A3 DRAWING NO. **1002742** REV.

IF IN DOUBT - **ASK.** SHEET 1 OF 1

Please Check with Kingspan Water & Energy Ltd For The Latest Issue Of This Drawing

REV.	DESCRIPTION	DATE	DRAWN BY