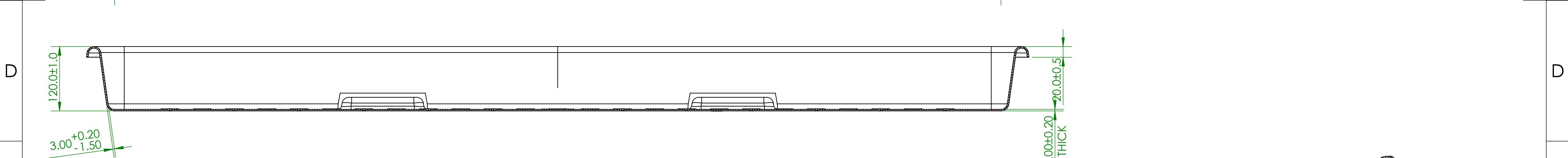
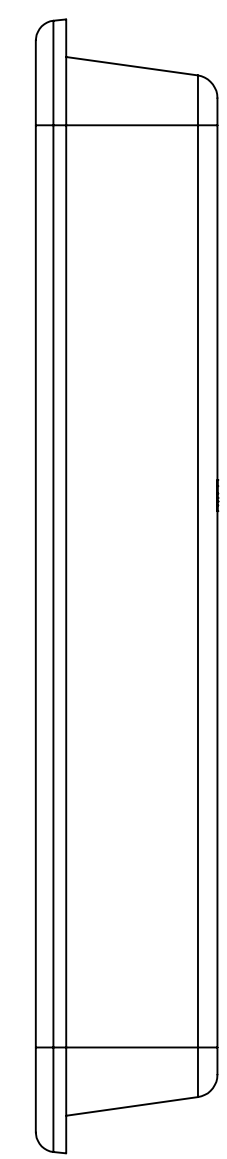
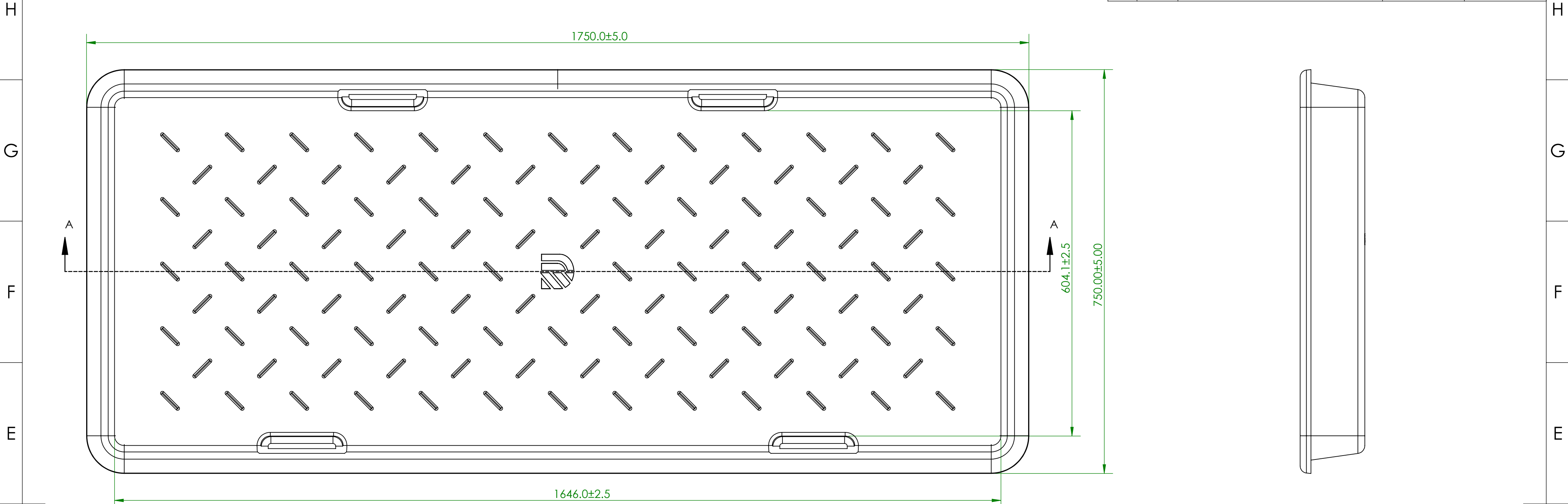
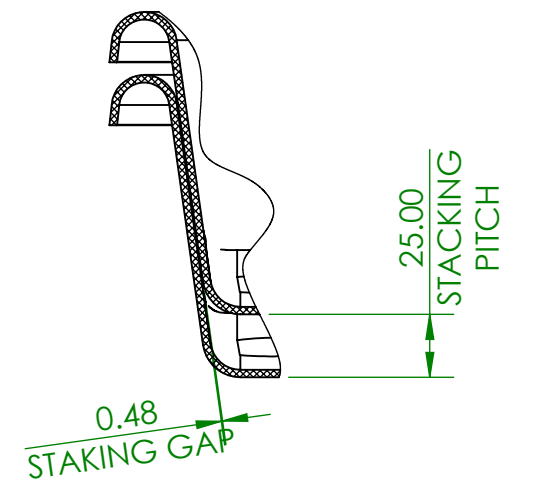
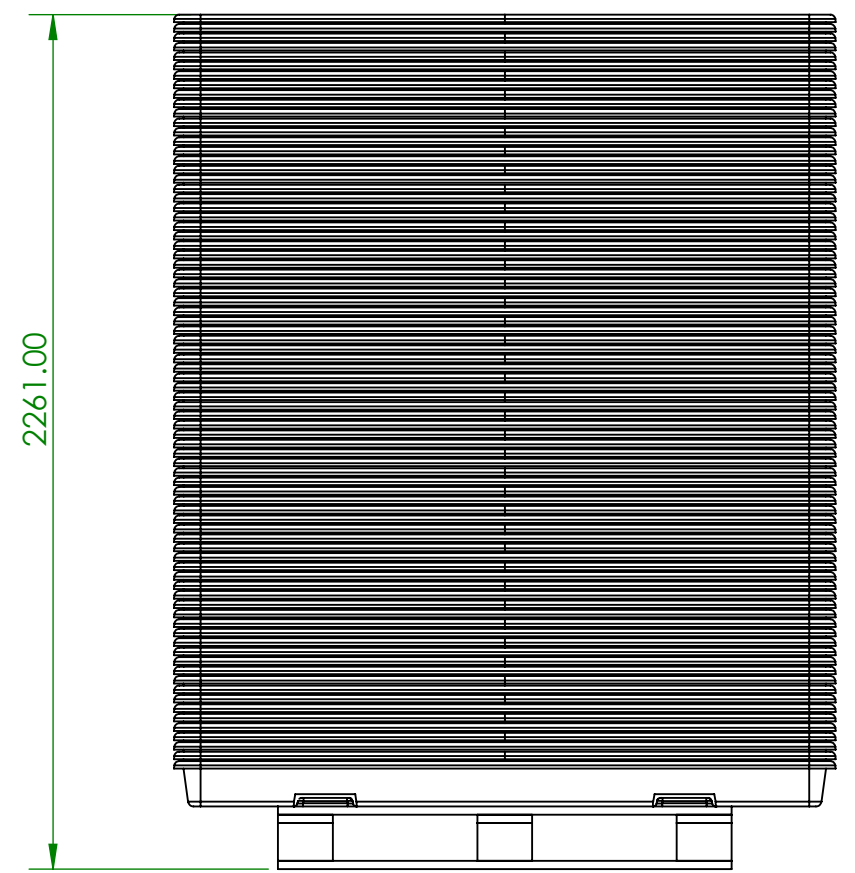
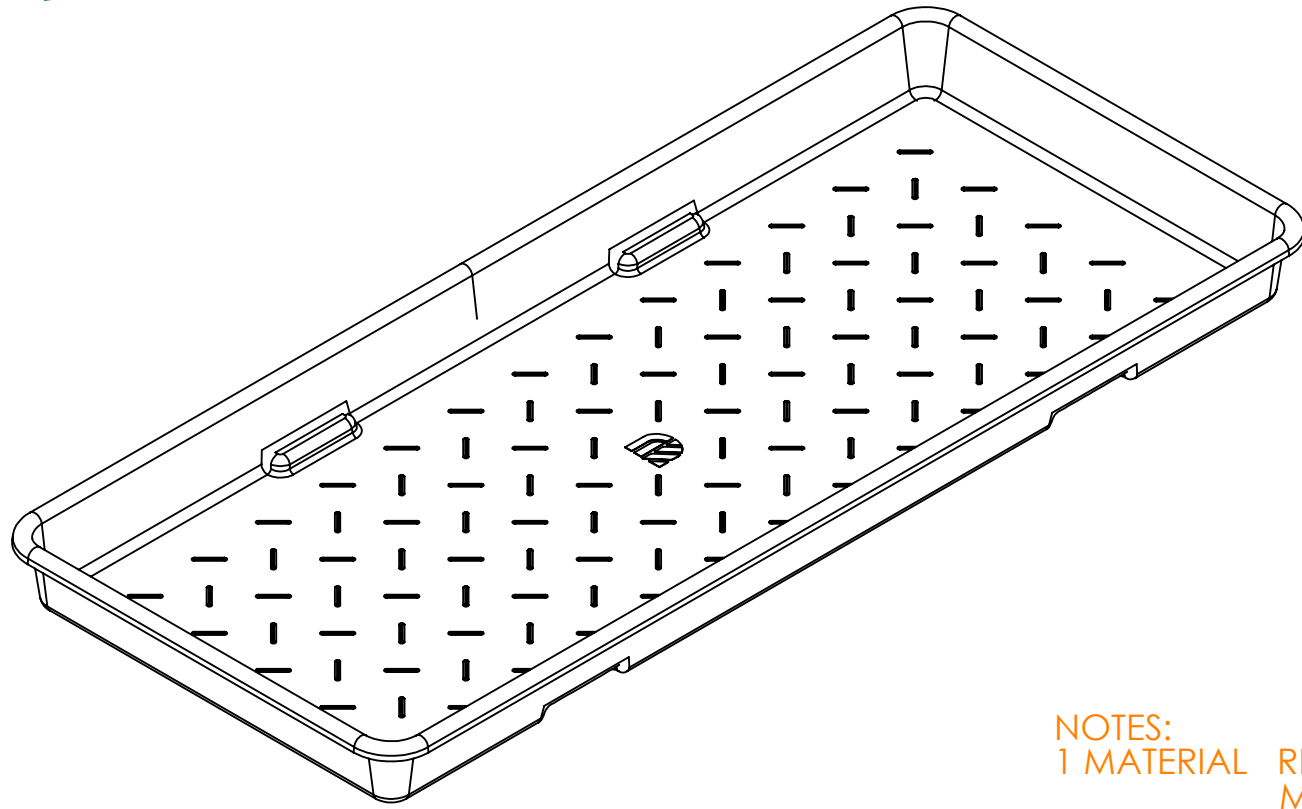


REVISIONS				
ZONE	REV.	DESCRIPTION	DATE	APPROVED



SECTION A-A
SCALE 1 : 5



- NOTES:
 1 MATERIAL RECYCLED ABS RECYCLED MANUFACTURER 3A ATHLONE
 2. FINISH COLOUR BLACK SURFACE TEXTURE PINSEAL SEMI GLOSS
 3 WEIGHT 4.60± 0.5 Kilograms
 4 WALL THICKNESS 3.0mm
 5 PRODUCT TO BE MARKED WITH RECYCLE LOGO.
 6 PACKOUT 80 TRAYS PER PALLETS.

RoHS, WEEE & REACH COMPLIANT		Material: SEE NOTES	
Designer: R.DEBARBOUILLE	Date: 2021JUN21	Finish: SEE NOTES	
Approved by: J.COLLINS	Date: 2021JUN21	Project: DLK2002	Part number: DLK2002-103
<small>DRAWINGS, SPECIFICATIONS, & DATA CONTAINED THEREIN, ARE THE EXCLUSIVE PROPERTY OF DLK COMPONENTS LTD. SAID ITEMS ARE ISSUED IN STRICT CONFIDENCE & SHALL NOT, WITHOUT WRITTEN PERMISSION OF DLK COMPONENTS LTD. BE REPRODUCED IN ANY FORM FOR ANY PURPOSE EXCEPT FOR THE MANUFACTURE OF ARTICLES FOR DLK COMPONENTS LTD.</small>		Scale: NOT TO SCALE	Title: TRAY SQUARE 1750.00 x 750.00 x 120
			Sheet Size: A2 ECO: Revision: A Sheet: 1 of 1